

MICHAEL RICKARD
KASPLOOSH.COM

ISOMETRIC

DIRTY DRAWERS
FURNITURE MODIFICATION
HYAMPOM, CA

PROJECT: 12276

DATE: 2012-06-15

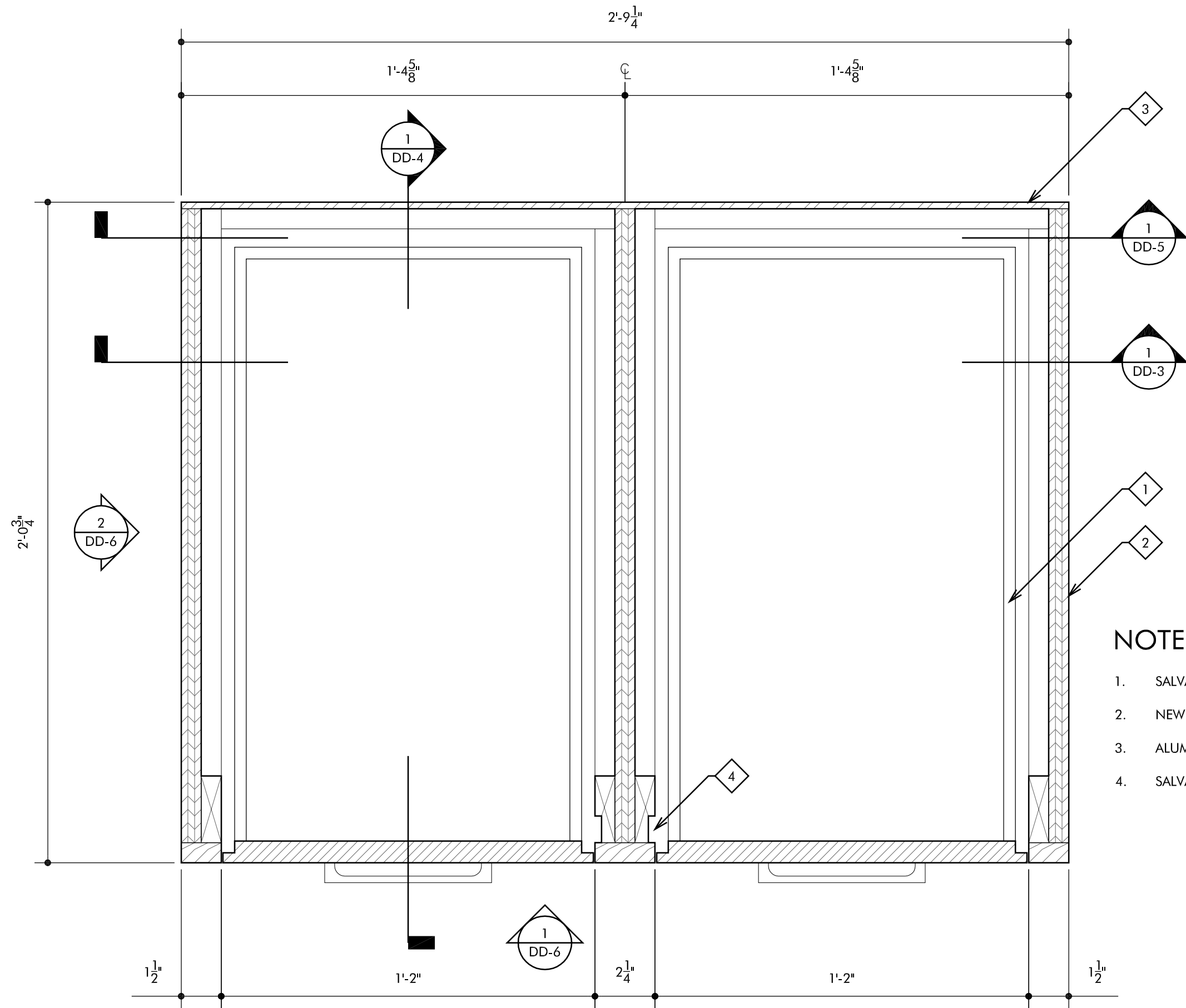
UNITS: FEET, INCHES

SCALE: 1:6

DRAWN: MRR

NUMBER:

DD-1



NOTES

- 1. SALVAGED DRAWERS
- 2. NEW CABINET
- 3. ALUMINUM BACK PANEL
- 4. SALVAGED LOCK MECHANISM GOES HERE

MICHAEL RICKARD
KASPLOOSH.COM

PLAN

DIRTY DRAWERS
FURNITURE MODIFICATION
HYAMPOM, CA

PROJECT: 12276

DATE: 2012-06-15

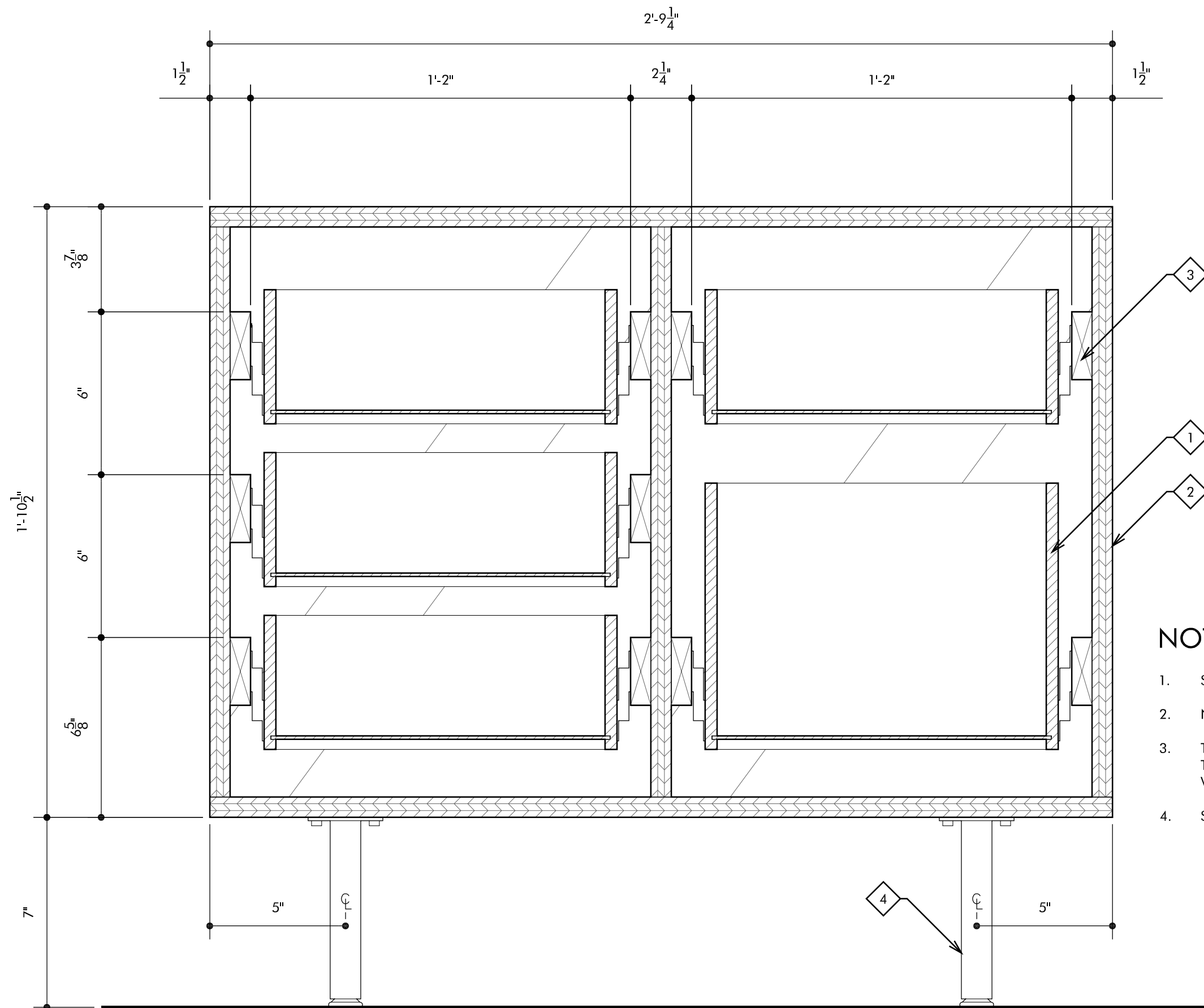
UNITS: FEET, INCHES

SCALE: 1:4

DRAWN: MRR

NUMBER:

DD-2



NOTES

- 1. SALVAGED DRAWERS
- 2. NEW CABINET
- 3. THESE PIECES PUT SOME SPACE BETWEEN THE DRAWERS AND THE CABINET SIDES SO WE CAN HAVE A DECENT FACE FRAME.
- 4. SALVAGED STEEL DESK LEGS

MICHAEL RICKARD
KASPLOOSH.COM

LONGITUDINAL SECTION
DIRTY DRAWERS
FURNITURE MODIFICATION
HYAMPOM, CA

PROJECT: 12276

DATE: 2012-06-15

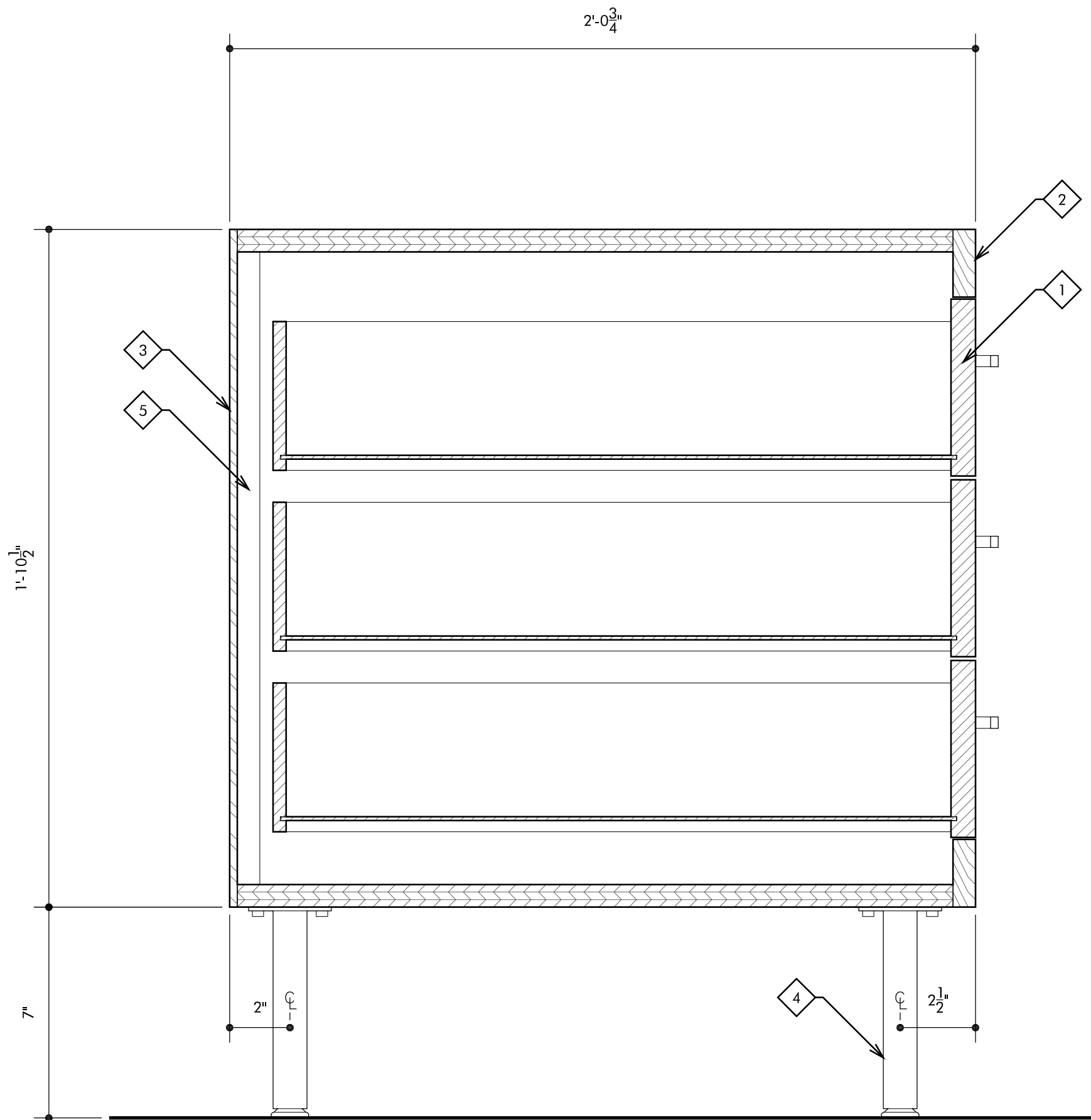
UNITS: FEET, INCHES

SCALE: 1:4

DRAWN: MRR

NUMBER:

DD-3



NOTES

- 1. SALVAGED DRAWERS
- 2. NEW CABINET
- 3. ALUMINUM BACK PANEL
- 4. SALVAGED STEEL DESK LEGS
- 5. DIAGONAL BRACE

MICHAEL RICKARD
KASPLOOSH.COM

CROSS SECTION
DIRTY DRAWERS
FURNITURE MODIFICATION
HYAMPOM, CA

PROJECT: 12276

DATE: 2012-06-15

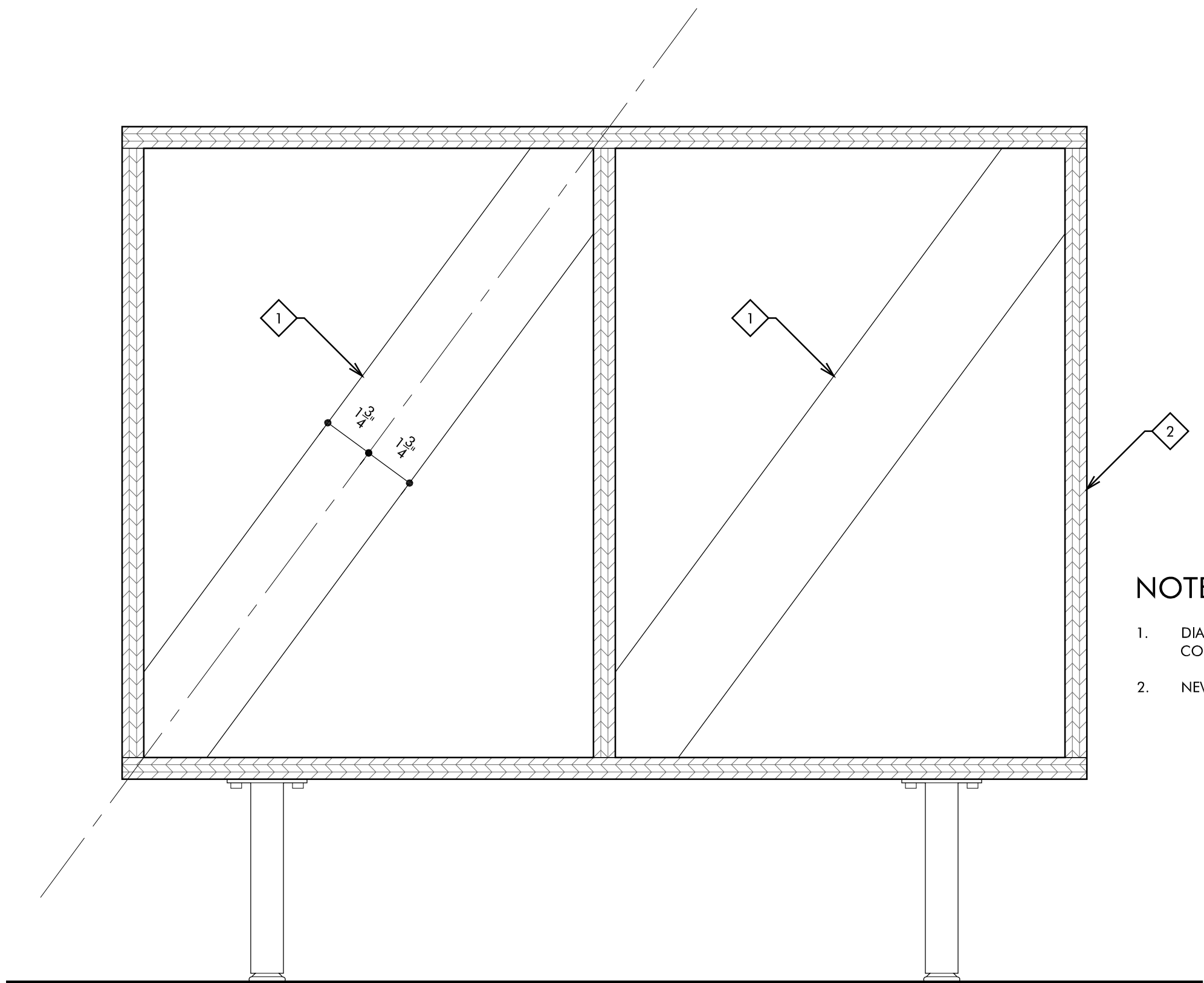
UNITS: FEET, INCHES

SCALE: 1:4

DRAWN: MRR

NUMBER:

DD-4



NOTES

- 1. DIAGONAL BRACE FROM CORNER TO CORNER OF EACH CABINET CELL.
- 2. NEW CABINET

MICHAEL RICKARD
KASPLOOSH.COM

**BRACING
DETAIL**

DIRTY DRAWERS
FURNITURE MODIFICATION
HYAMPOM, CA

PROJECT: 12276

DATE: 2012-06-15

UNITS: FEET, INCHES

SCALE: 1:4

DRAWN: MRR

NUMBER:

DD-5

MICHAEL RICKARD
KASPLOOSH.COM

ELEVATIONS

DIRTY DRAWERS
FURNITURE MODIFICATION
HYAMPOM, CA

PROJECT: 12276

DATE: 2012-06-15

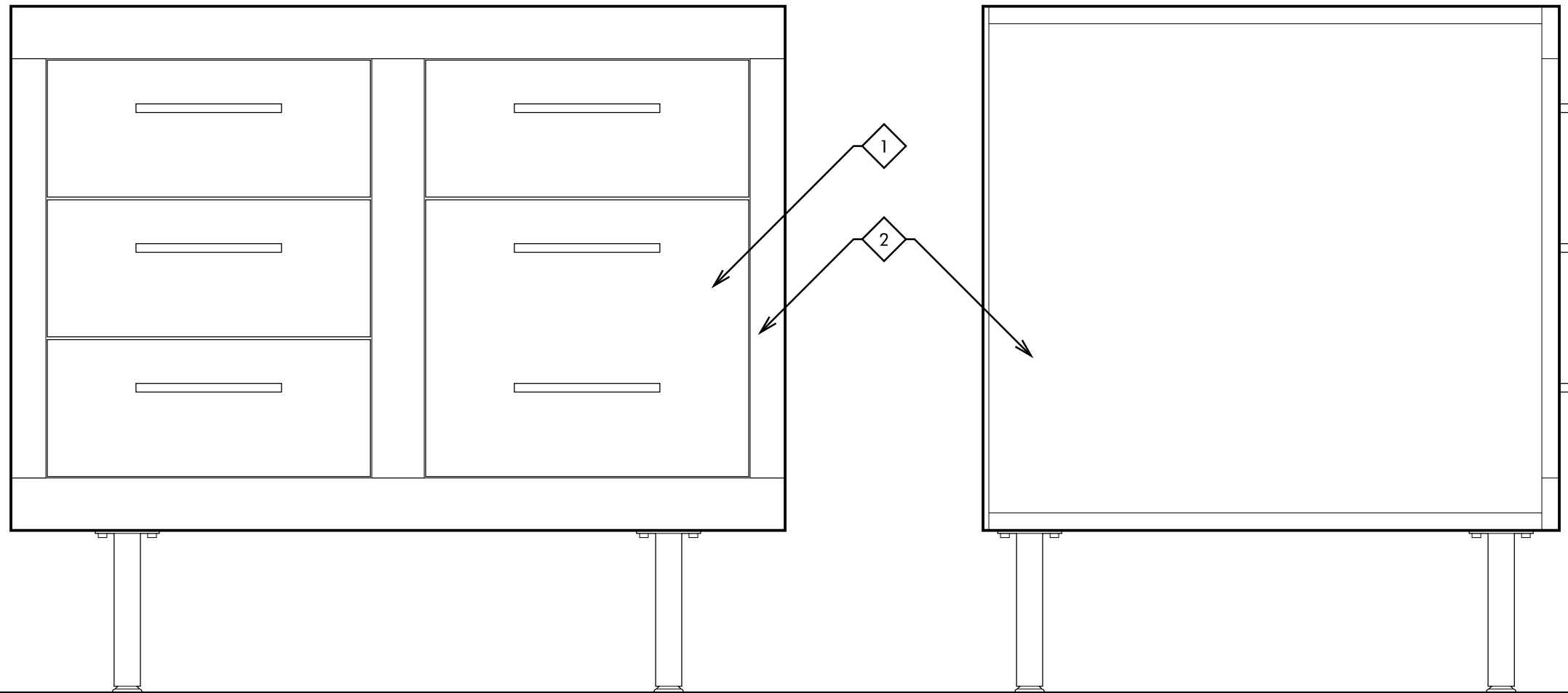
UNITS: FEET, INCHES

SCALE: 1:6

DRAWN: MRR

NUMBER:

DD-6



NOTES

1. SALVAGED DRAWERS RETAIN THEIR ORIGINAL BROWN-BROWN FINISH.
2. NEW CABINET AND FACE FRAME PAINTED OOPS PAINT HOT PINK.