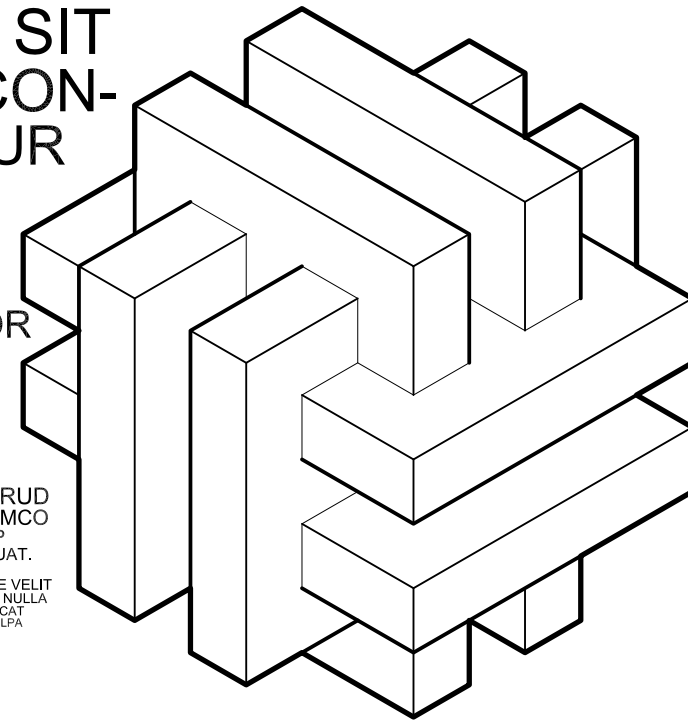


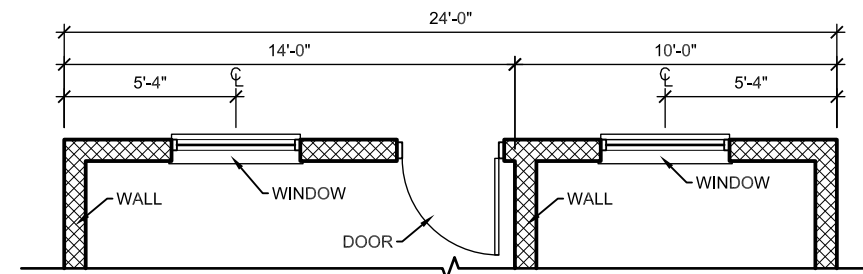
LOREM IPSUM
DOLOR SIT
AMET, CON-
SECTETUR

ADIPSICI
ELIT, SED
DO EIUS-
MOD TEMPOR
INCIDIDUNT
UT LABORE
ET DOLORE
MAGNA ALIQUA.

UT ENIM AD MINIM
VENIAM, QUI NOSTRUD
EXCERCITATION ULLAMCO
LABORIS NISI UT ALIQUIP
EX EA COMMODO CONSEQUAT.
DUIS AUTE IRURE DOLOR IN
REPREHENDERIT IN VOLUPTATE VELIT
ESSE CILLUM DOLORE EU FUGIAT NULLA
PARIATUR, EXCEPTEUR SINT OCCAECAT
CUPIDATAT NON PROIDENT, SUNT IN CULPA
QUI OFFICIA DESERUNT
MOLIT ANIM ID
EST LABORUM.



THIS PDF WAS MADE WITH BRICSCAD USING "EXPORT TO PDF"
ON DEBIAN GNU/LINUX. TEXT ELEMENTS LOOK CORRECT,
BUT PAGE LAYOUT IS NOT RESPECTED, WHICH IS UNDERSTANDABLE.



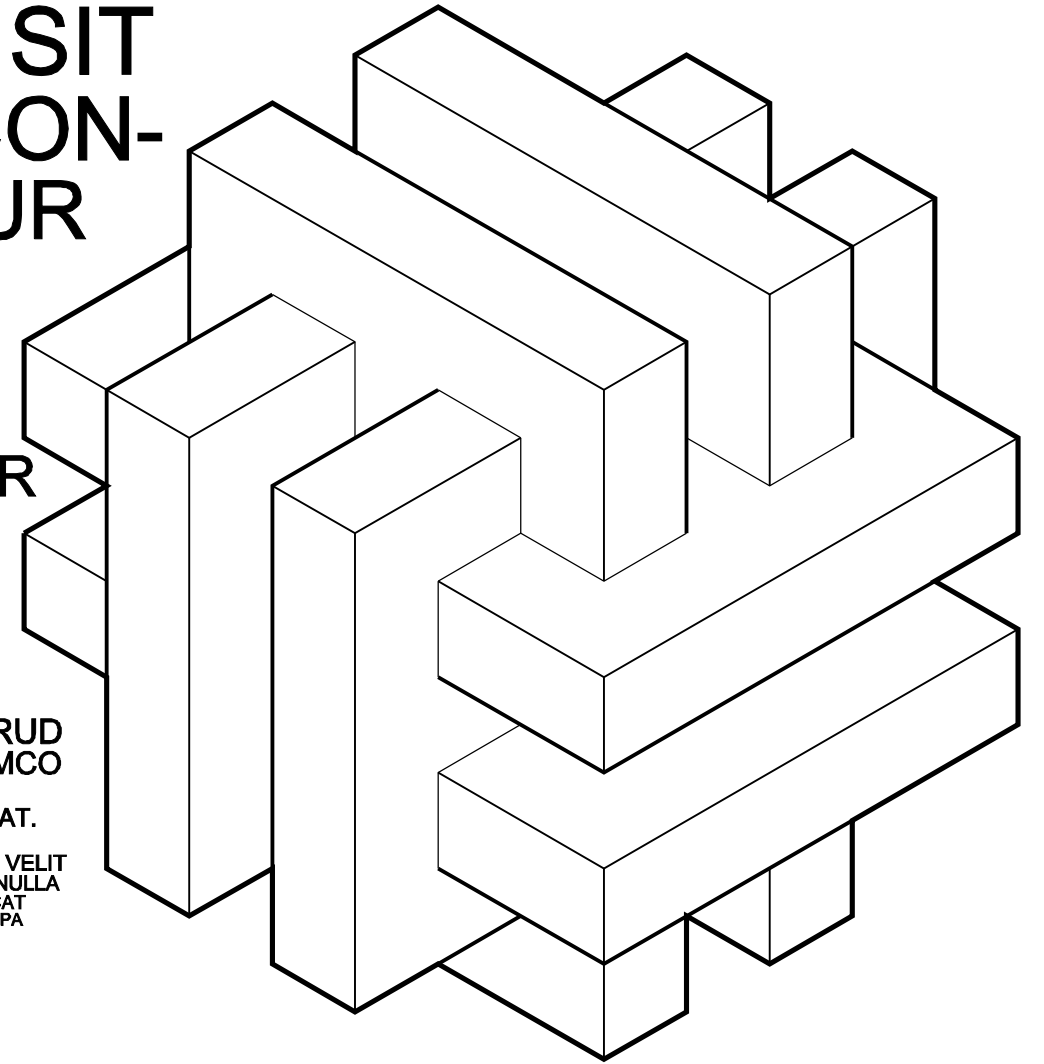
SAMPLE DRAWING

SCALE: 1/4" = 1'-0"

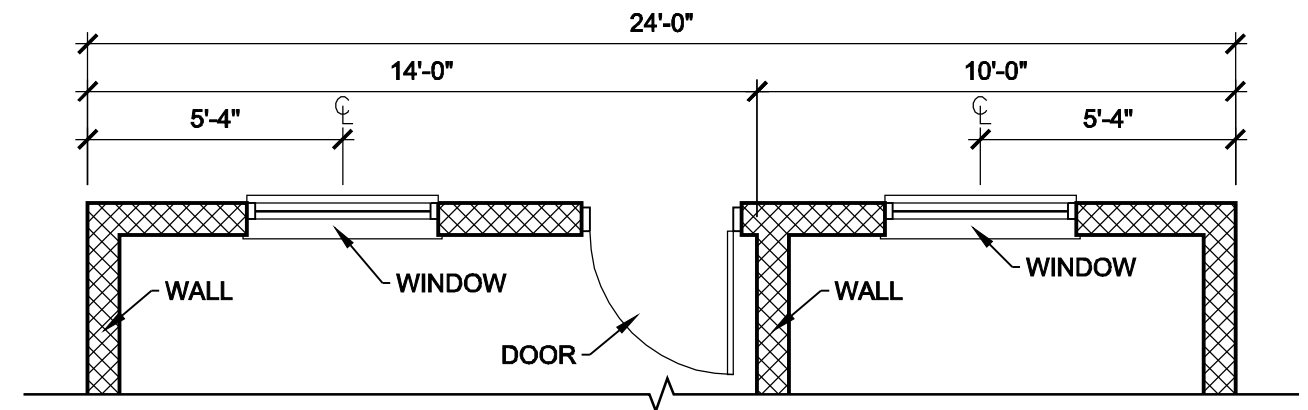


LOREM IPSUM
DOLOR SIT
AMET, CON-
SECTETUR

ADIPSICI
ELIT, SED
DO EIUS-
MOD TEMPOR
INCIDIDUNT
UT LABORE
ET DOLORE
MAGNA ALIQUA.
UT ENIM AD MINIM
VENIAM, QUIS NOSTRUD
EXCERCITATION ULLAMCO
LABORIS NISI UT ALIQUIP
EX EA COMMODO CONSEQUAT.
DUIS AUTE IRURE DOLOR IN
REPREHENDERIT IN VOLUPTATE VELIT
ESSE CILLUM DOLORE EU FUGIAT NULLA
PARIATUR. EXCEPTEUR SINT OCCAECAT
CUPIDATAT NON PROIDENT, SUNT IN CULPA
QUI OFFICIA DESERUNT
MOLLIT ANIM ID
EST LABORUM.



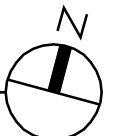
THIS PDF WAS MADE WITH BRICSCAD PRINTING TO CUPS-PDF VIRTUAL PRINTER
ON DEBIAN GNU/LINUX. TEXT ELEMENTS HAVE A DARK BLACK QUALITY,
LINE ELEMENTS ARE CORRECT, PAGE LAYOUT IS CORRECT.



1
A1

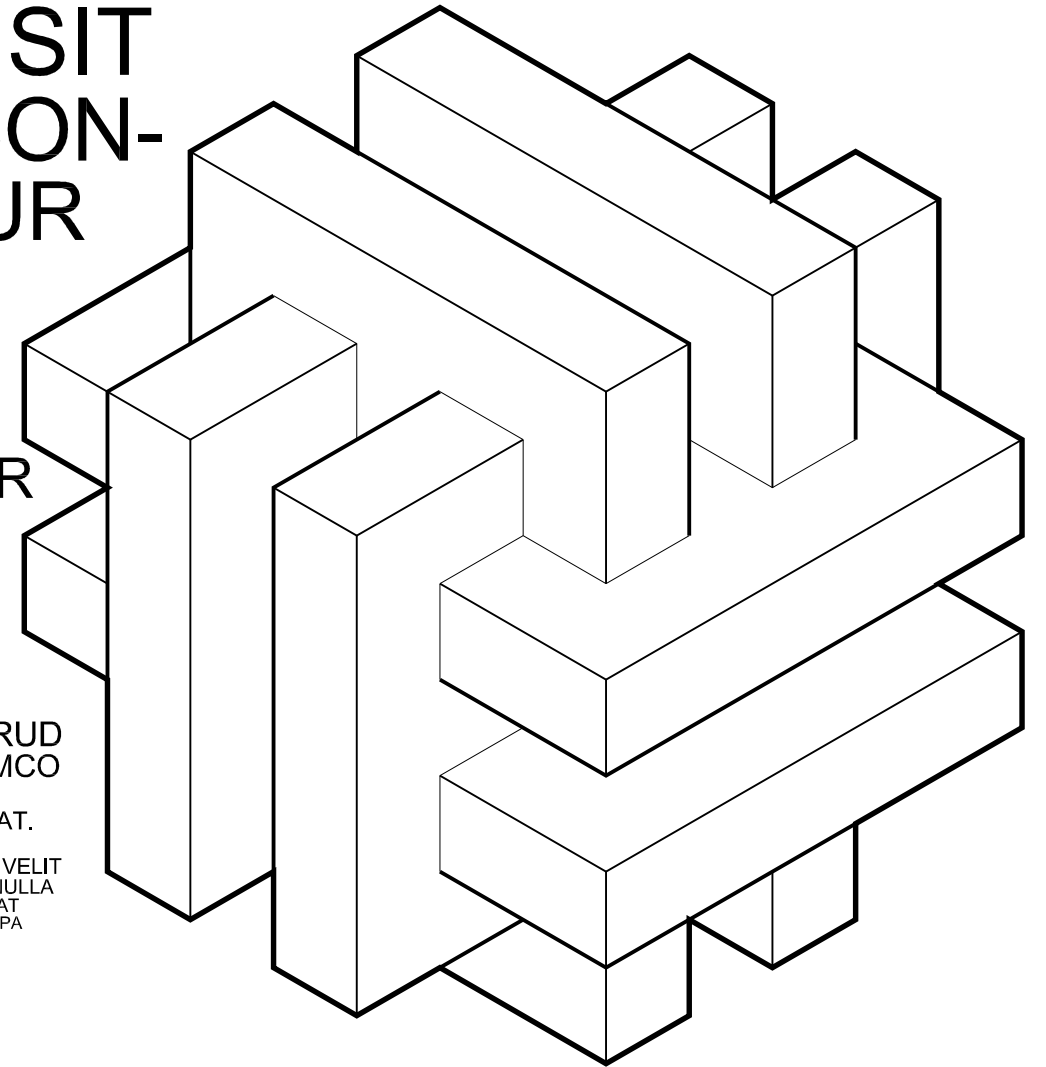
SAMPLE DRAWING

SCALE: 1/4" = 1'-0"

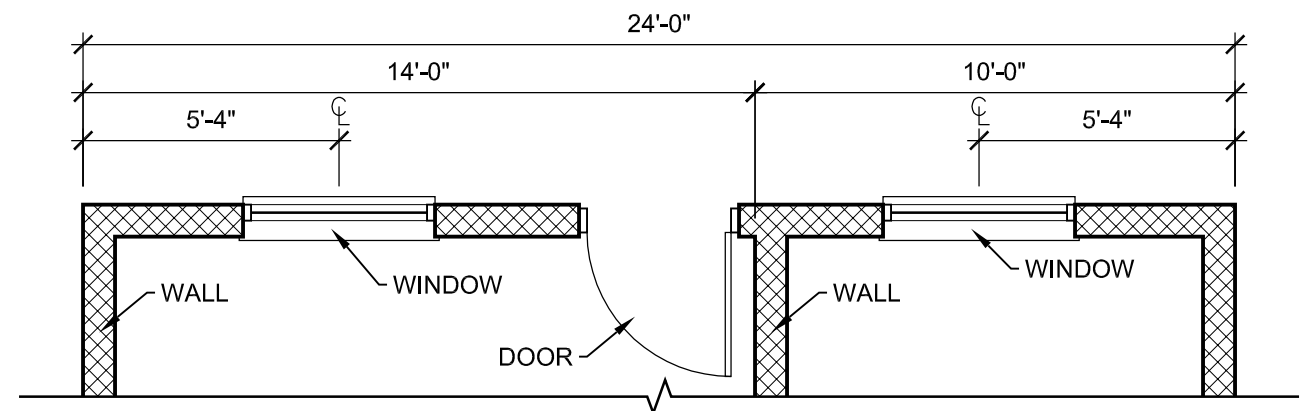


LOREM IPSUM
DOLOR SIT
AMET, CON-
SECTETUR

ADIPSICI
ELIT, SED
DO EIUS-
MOD TEMPOR
INCIDIDUNT
UT LABORE
ET DOLORE
MAGNA ALIQUA.
UT ENIM AD MINIM
VENIAM, QUIS NOSTRUD
EXCERCITATION ULLAMCO
LABORIS NISI UT ALIQUIP
EX EA COMMODO CONSEQUAT.
DUIS AUTE IRURE DOLOR IN
REPREHENDERIT IN VOLUPTATE VELIT
ESSE CILLUM DOLORE EU FUGIAT NULLA
PARIATUR, EXCEPTEUR SINT OCCAECAT
CUPIDATAT NON PROIDENT, SUNT IN CULPA
QUI OFFICIA DESERUNT
MOLLIT ANIMID
EST LABORUM.



THIS PDF WAS MADE WITH AUTOCAD USING
PRINT TO PDF (PDFCREATOR) ON WINDOWS XP.
TEXT ELEMENTS LOOK CORRECT, PAGE LAYOUT IS CORRECT.



1
A1

SAMPLE DRAWING

SCALE: 1/4" = 1'-0"

