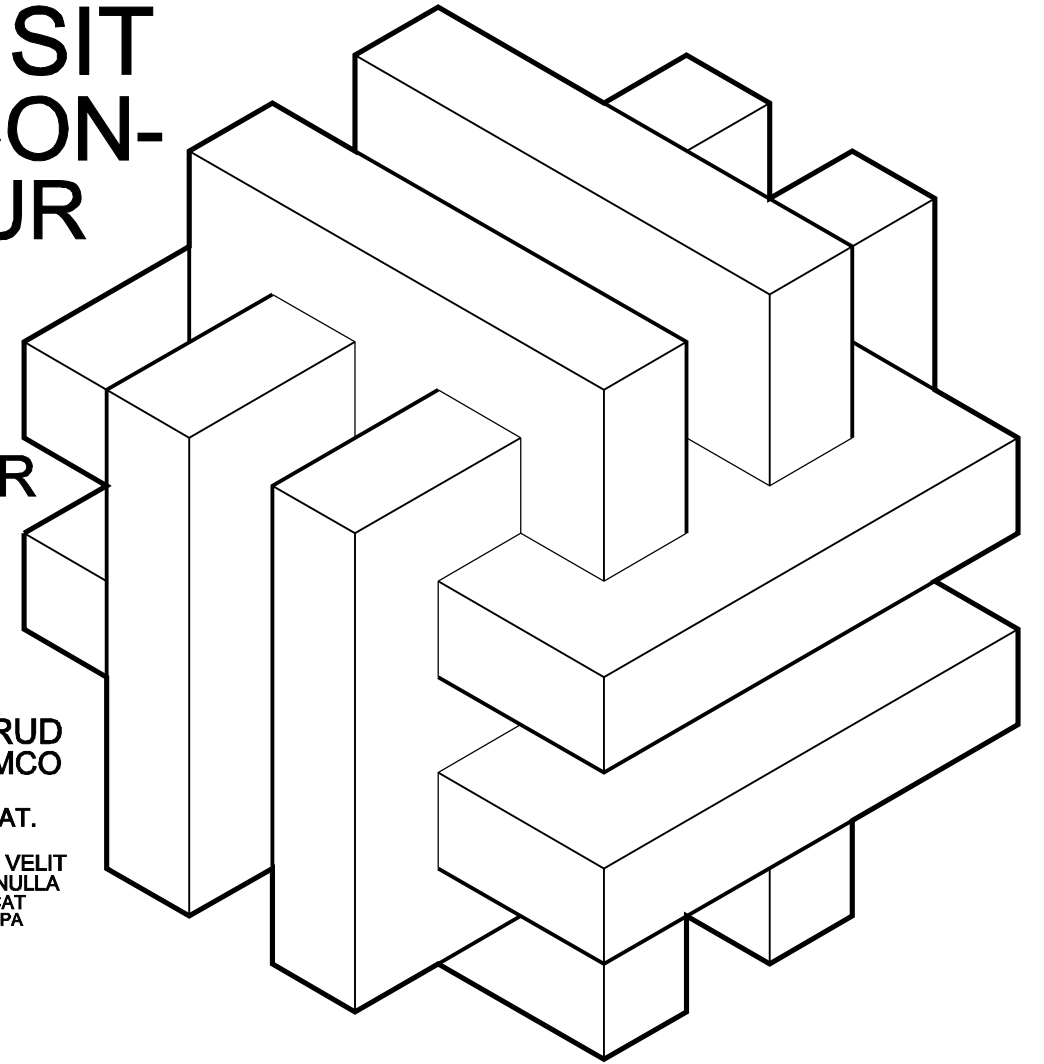
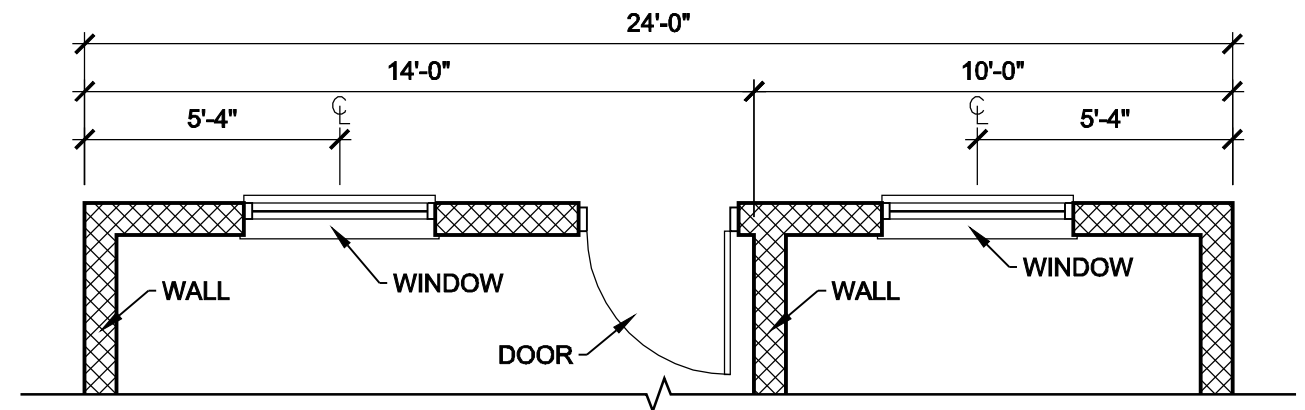


LOREM IPSUM  
DOLOR SIT  
AMET, CON-  
SECTETUR

ADIPSICI  
ELIT, SED  
DO EIUS-  
MOD TEMPOR  
INCIDIDUNT  
UT LABORE  
ET DOLORE  
MAGNA ALIQUA.  
UT ENIM AD MINIM  
VENIAM, QUIS NOSTRUD  
EXCERCITATION ULLAMCO  
LABORIS NISI UT ALIQUIP  
EX EA COMMODO CONSEQUAT.  
DUIS AUTE IRURE DOLOR IN  
REPREHENDERIT IN VOLUPTATE VELIT  
ESSE CILLUM DOLORE EU FUGIAT NULLA  
PARIATUR. EXCEPTEUR SINT OCCAECAT  
CUPIDATAT NON PROIDENT, SUNT IN CULPA  
QUI OFFICIA DESERUNT  
MOLLIT ANIM ID  
EST LABORUM.



THIS PDF WAS MADE WITH BRICSCAD PRINTING TO CUPS-PDF VIRTUAL PRINTER  
ON DEBIAN GNU/LINUX. TEXT ELEMENTS HAVE A DARK BLACK QUALITY,  
LINE ELEMENTS ARE CORRECT, PAGE LAYOUT IS CORRECT.



1  
A1

**SAMPLE DRAWING**

SCALE: 1/4" = 1'-0"

